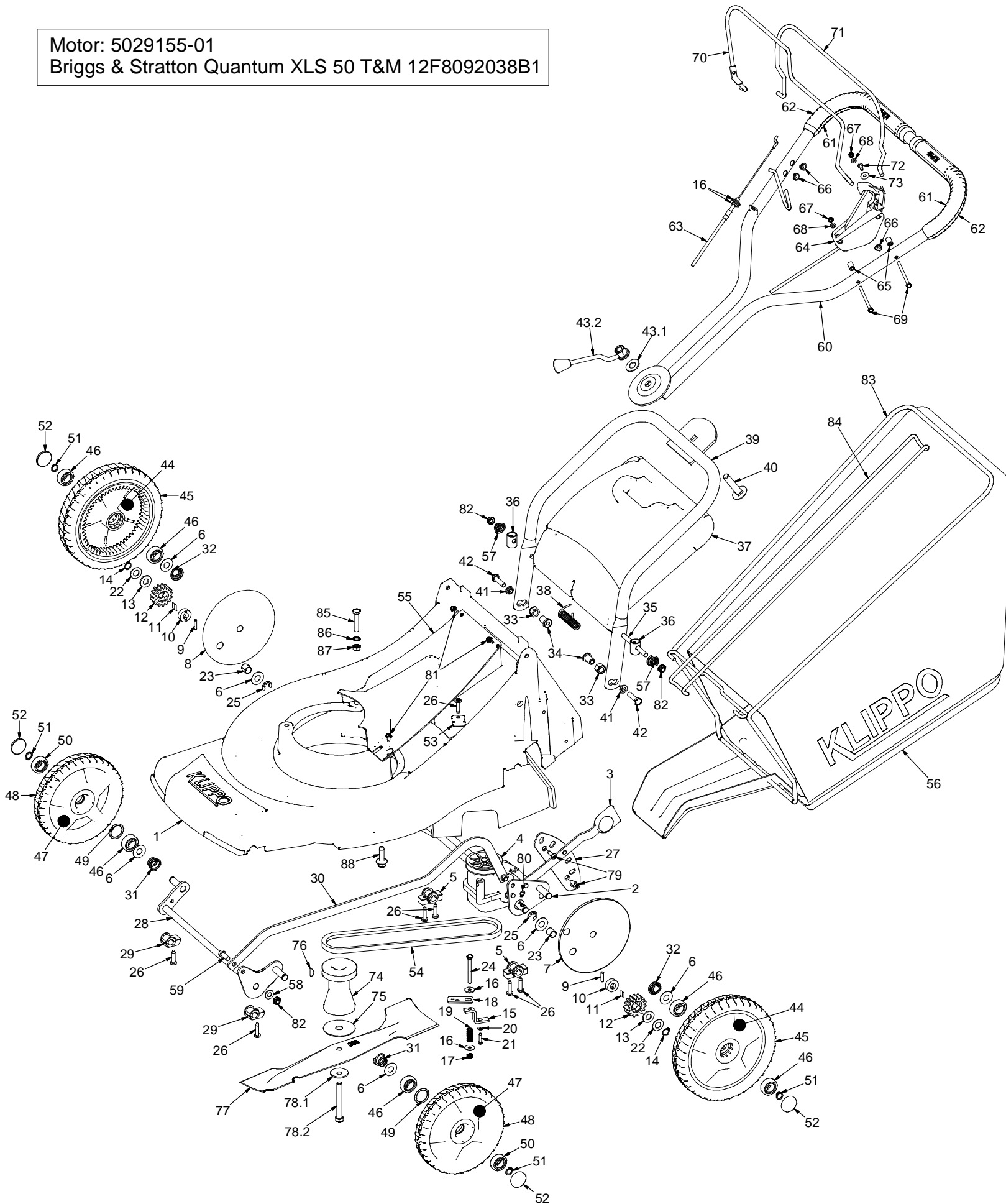




965 223 201 – Brilliant Selfstart – 2009

Motor: 5029155-01
Briggs & Stratton Quantum XLS 50 T&M 12F8092038B1



Pos	Art.number	Art.nr Klippo	Description	Pos	Art.number	Art.nr Klippo	Description
1	5054385-01	0113	COVER BRILLIANT	61	5044653-01	743011	HANDLE GRIP, RED
2	5032568-01	0247	REAR SHAFT	62	5044654-01	743012	HANDLE GRIP, RED
3	5044647-01	7418	KNOB, BLACK	63	5032994-01	1310	DRIVE WIRE
4	5033247-01	1802	GEAR BOX	64	5033113-01	1341	START CONTROL
5	5044635-01	74021	HOLDER REAR SHAFT	65	5044667-01	7611	BUSHING
6	5044576-01	7036	WASHER 27x12,2x0.5 FZ	66	5033209-01	1554	LOOP BUSHING
7	5033173-01	1425	WHEEL SHEET LEFT	67	5044603-01	7073	LOCK NUT M5 NYLOCK FZ
8	5033172-01	1424	WHEEL SHEET RIGHT	68	5044672-01	7620	WASHER 10x5.3x3 FZ
9	5033271-01	1872	DRIVE COTTER	69	5028898-01	7625	SCREW M6S M5x70 8.8 FZ
10	5033268-01	1869	SLIDE SLEEVE	70	5032967-01	1278	CONTROL BAR DRIVE, RED
11	5033267-01	1868	DRIVE WEDGE	71	5033143-01	1373	CONTROL BAR, RED
12	5033270-01	1871	GEAR WHEEL	72	5044593-01	7059	SCREW ST4,8x 13 FZ
13	5033269-01	1870	SLIDE WASHER	73	5028965-01	7063	WASHER NB 16x5,2x1 FZ
14	5028825-01	70051	CLAMP RING SGA 12x1	74	5032588-01	0307	BLADE BRACKET
15	5033272-01	1873	BRACKET	75	5032594-01	0323	FIBRE WASHER
16	5044599-01	7069	WASHER 19x6x1.5 FZ	76	5044605-01	7075	WOODRUF WEDGE
17	5044561-01	7018	LOCK NUT M6 NYLOCK FZ	77	5031055-01	6040	BLADE
18	5033273-01	1874	BRACKET UPPER	78	5032726-01	0907	SCREW AND CUP SPRING
19	5033324-01	2210	COMPRESSION SPRING	79	5044565-01	7024	SCREW KFTS 6.3X25 FZ
20	5044585-01	7045	WASHER SRB 10x4x1 FZ	80	5044581-01	7040	CLAMP RING SGA 8X0.8
21	5044586-01	7046	SCREW K40x20 PT WN 1452 FZ	81	5044616-01	7090	SCREW M5x10 FZ
22	5028830-01	7076	WASHER 23,7x12,5x1 FZ	82	5044589-01	7052	LOCK NUT M8 NYLOCK FZ
23	5044596-01	7066	PLAIN BEARING	83	5029460-01	1835	COLLECTOR FRAME
24	5028823-01	70021	SCREW M6S M6x55 FZ	84	5033257-01	1834	COLLECTOR HANDLE
25	5044574-01	70341	E-CLIP	85	5044569-01	7028	SCREW M6S M8x40 FZ
26	5044571-01	70301	SCREW RTS 6.3X25 FZ	86	5044580-01	7039	LOCK WASHER 8.4 FZ
27	5032569-01	0248	ADJUST PLATE	87	5044572-01	7032	NUT M6M M8 FZ
28	5032713-01	0722	FRONT SHAFT	88	5028829-01	70701	SCREW DG-93x30Z FZ
29	5028852-01	74061	BEARING SLEEVE				
30	5032498-01	0236	HEIGHT ADJUST BAR				
31	5033330-01	2220	COMPRESSION SPRING				
32	5033323-01	2209	COMPRESSION SPRING				
33	5032850-01	11661	HANDLE NUT				
34	5032851-01	11671	HANDLE SCREW				
35	5033258-01	1837	SHUTTER SHAFT				
36	5032852-01	11681	HANDLE BUSHING				
37	5033249-01	1821	SHUTTER				
38	5033321-01	2207	SHUTTER SPRING				
39	5032828-01	1126	HANDLE LOWER, YELLOW				
40	5044566-01	7025	WAGON BOLT M12x55				
41	5032849-01	11651	COLLAR WASHER				
42	5044591-01	7056	SCREW M6S M8x30 FZ				
43	5032982-01	1300	BALL HANDLE WITH WASHER				
44	5032748-01	1005	WHEEL BACK, RED				
45	5032766-01	1074	TYRE BRILLIANT				
46	5032429-01	70091	BALL BEARING Ø12/32x10				
47	5032756-01	1020	FREE WHEEL, RED				
48	5032765-01	1073	TYRE 180				
49	5044618-01	7092	SPACER				
50	5028827-01	70081	BALL BEARING Ø12/32x9				
51	5044583-01	7042	CLAMP RING SGA 12X1.5				
52	5032751-01	1010	HUB CAP				
53	5029178-01	75462	REINFORCEMENT				
54	5254803-01	N/A	V-BELT				
55	5033251-01	1822	BELT GUARD				
56	5029458-01	1831	COLLECTOR BAG				
57	5032577-01	0265	COMPRESSION SPRING				
58	5044610-01	7083	WASHER SRB 18x9x1,5 FZ				
59	5044623-01	7097	SCREW M8				
60	5032865-01	1218	HANDLE UPPER WITH GRIPS				

REMARKS:
 POS 2: INCLUDE POS 3.
 POS 39: INCLUDE POS 40.
 POS 44: INCLUDES POS 45 AND 46.
 POS 47: INCLUDES POS 46, 48, 49 AND 50.
 POS 60: INCLUDES POS 61 AND 62.
 POS 77: INCLUDE POS 75.